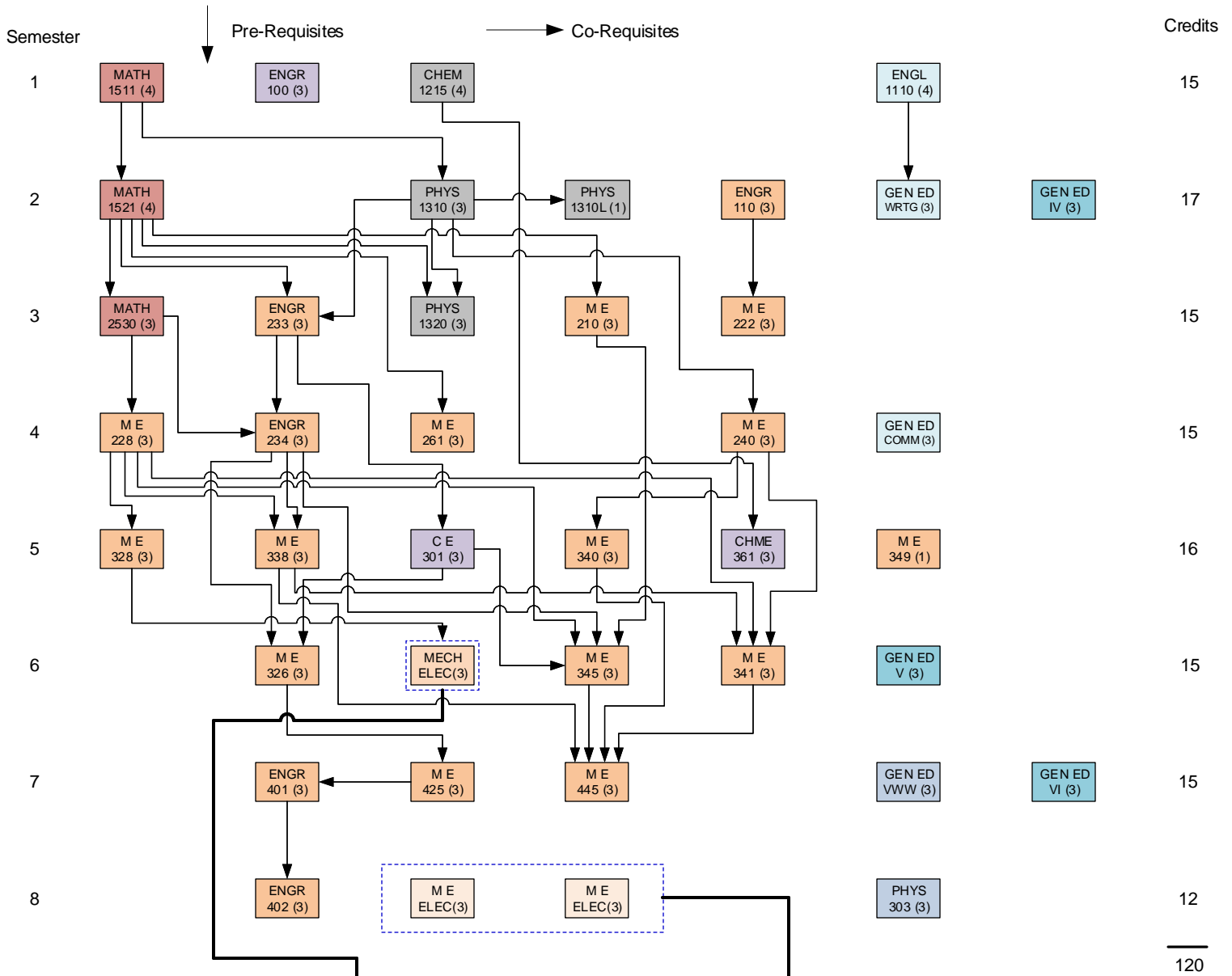


Mechanical Engineering (2020-2021)

Name _____

Student ID _____



Electives:

