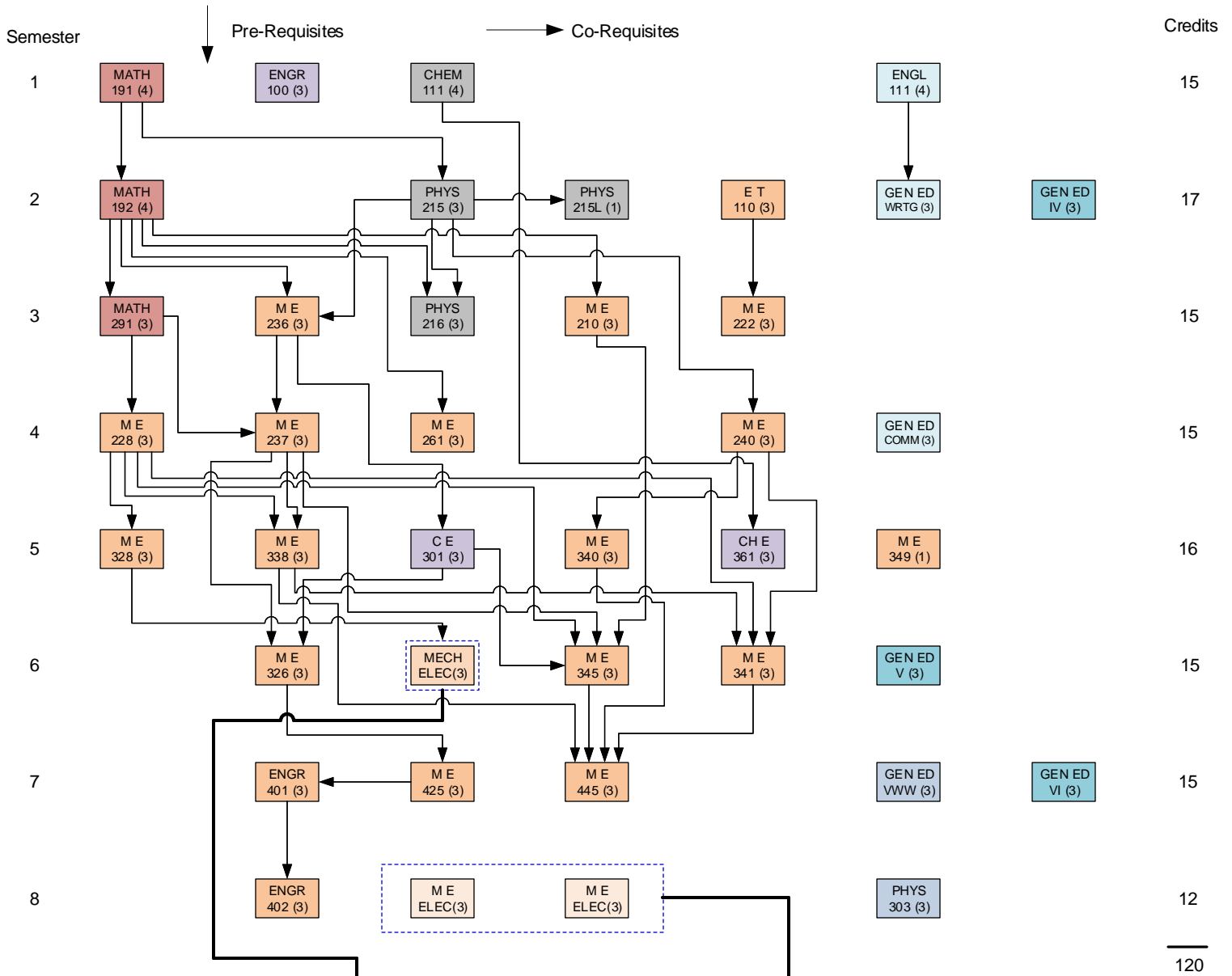


# Mechanical Engineering (2019-2020)

Name \_\_\_\_\_

Student ID \_\_\_\_\_



**Electives:**

